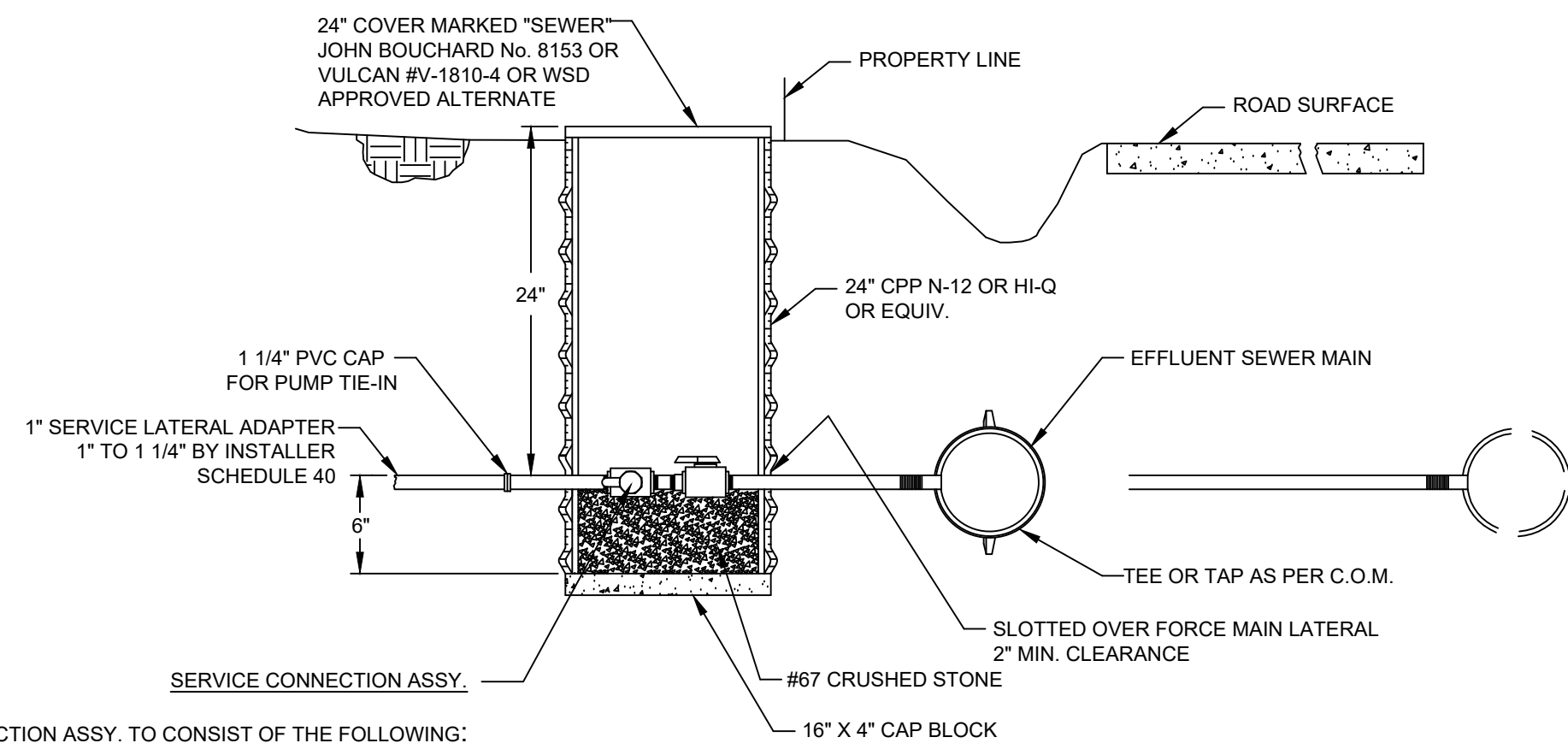


APPROVED ALTERNATIVES SHALL INCLUDE:
 1. CARSON - BROOKS PLASTIC, INC. WITH 1 1/2 INCH BY 10 INCH LID

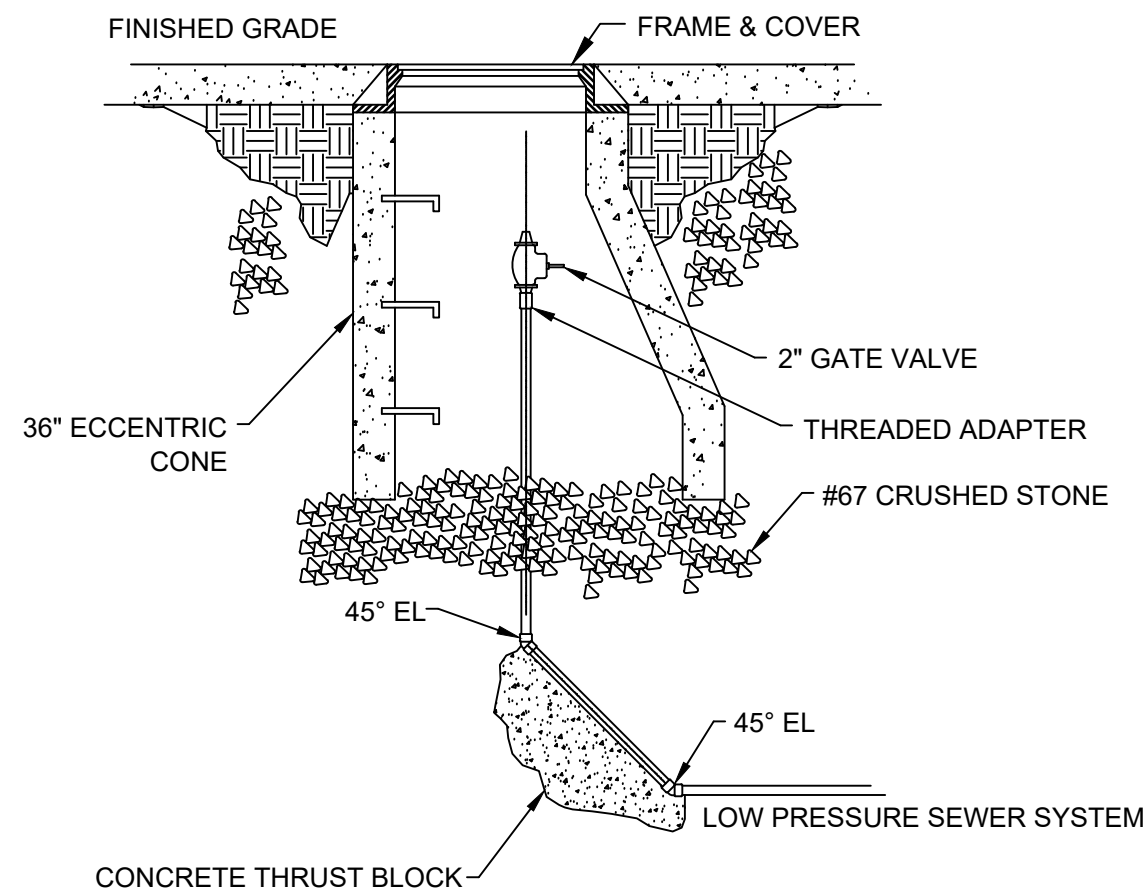


CONNECTION ASSY. TO CONSIST OF THE FOLLOWING:
 1 1/4" SPEARS 150 PSI EDPM SEAL UTILITY BALL VALVE SCH. 40 SPEARS #2622-012 (2) 1 1/4" TO 1 1/4" UNIONS -- SLIP FITTING SCH. 40 SPEARS #457-012 FLOW CONTROL 1 1/4" SWING CHECK VALVE SCH. 40 FLOW CONTROL #1520-12 1 1/4" SCH. 40 PVC NIPPLES AS NEEDED TO MEET REQUIRED DIMENSIONS

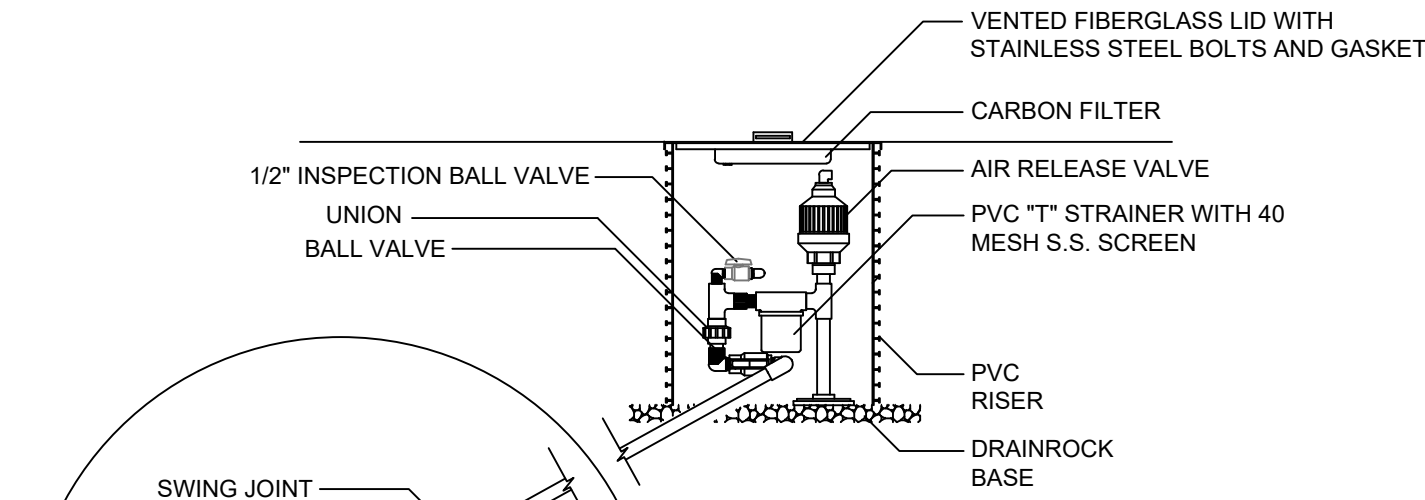
S.T.E.P. SEWER SERVICE CONNECTION

ALL SERVICE LINE CONNECTIONS SHALL BE SOLVENT WELDED. THE ONLY ACCEPTABLE SOLVENTS AND CEMENTS ARE THOSE THAT ARE RECOMMENDED BY THE PIPE MANUFACTURER. ALL SERVICE LATERALS FROM THE EFFLUENT SEWER MAIN TO THE PROPERTY LINE SHALL BE PRESSURE TESTED PRIOR TO ANY BACKFILLING.

NOTE: WHEN THE TERMINAL FLUSHING CONNECTION IS OUTSIDE THE ROADWAY PAVEMENT THE USE OF A BOX SIMILAR IN CONSTRUCTION TO THE SEWER SERVICE CONNECTION MAY BE SUBSTITUTED WITH THE WATER & SEWER DEPARTMENT APPROVAL.



2" TERMINAL FLUSHING CONNECTION IN ROAD PAVEMENT



OSI'S AIR RELEASE ASSEMBLY IS SUPPLIED AS A COMPLETE PRE-ASSEMBLED UNIT WHICH CAN BE INSTALLED ABOVE OR BELOW GROUND. OSI'S AIR RELEASE ASSEMBLY CAN BE EASILY MODIFIED OR CUSTOM BUILT.

THIS UNIT'S LOW PROFILE IS A REAL ADVANTAGE WHEN USED WITH SHALLOWLY BURIED COLLECTION LINES COMMON TO PRESSURE SEWER AND WATER DISTRIBUTION SYSTEMS

THE 1/2 INCH BALL VALVE IS USED TO VERIFY THAT THE AUTOMATIC AIR-RELEASE VALVE IS OPERATIONAL. THE RELEASE OF A LARGE VOLUME OF AIR THROUGH THE 1/2 INCH BALL VALVE DURING OPERATION INDICATES THAT THE VALVE AND STRAINER SHOULD BE REMOVED AND CLEANED. THE FREQUENCY OF INSPECTION REQUIRED MAY VARY FROM ONE TO TWELVE MONTHS DEPENDING ON THE SYSTEM.

A PRESSURE GAUGE CAN BE THREADED INTO THE OUTLET END OF THE 1/2 INCH BALL VALVE TO OBSERVE SYSTEM LINE PRESSURE. ALL COMPONENTS ARE RATED FOR A 150 PSI WORKING PRESSURE.

© 1997, ORENCO SYSTEMS, INC. NOT SUPPLIED

1997, ORENCO SYSTEMS, INC.

TEST FOR WATERTIGHT INTEGRITY: THE CONTROL AUTHORITY SHALL VACUUM TEST THE PUMP TANK FOR WATER-TIGHTNESS, AT THE CONTRACTOR'S EXPENSE. TESTS SHALL BE PERFORMED UPON INSTALLATION PRIOR TO FINAL BACKFILLING. THE INTENT OF THE TEST IS TO ENSURE A WATERTIGHT PUMP TANK UNDER GROUNDWATER CONDITIONS. THE VACUUM TEST WILL CONSIST OF A TEST PRESSURE OF 4 PSI FOR 5 MINUTES.

SEPTIC TANK SIZING SHALL BE BASED ON THE FOLLOWING REQUIREMENTS:

NUMBER OF BEDROOMS	MINIMUM SIZE TANK
4 OR LESS	1500 GALLON TWO COMPARTMENT
5 OR GREATER	2000 GALLON TWO COMPARTMENT

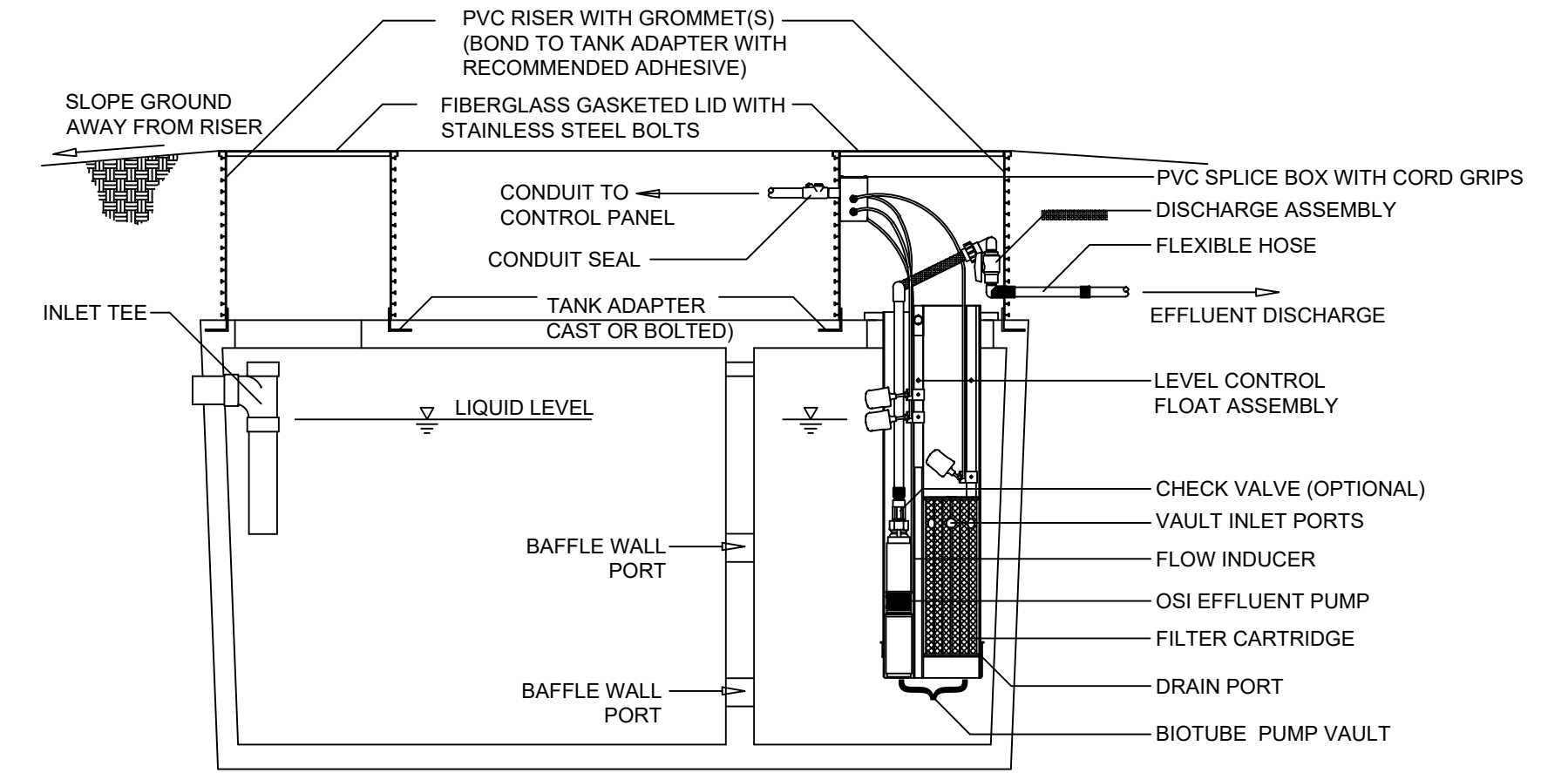
OTHER BEDROOM CONFIGURATIONS OR INDUSTRIAL USES WILL BE BASED ON A TANK PUMPING FREQUENCY OF 10 YEARS AS DETERMINE IN THE SUGGESTED SPECIFICATIONS AS FURNISHED BY ORENCO SYSTEMS, INC. COMMERCIAL INSTALLATIONS ARE STRONGLY URGED TO CONSIDER MULTIPLE TANKS IN LIEU OF MULTIPLE COMPARTMENTS.

EDW-TD-20
 Rev. 1.0 (2/98)

AIR RELEASE ASSEMBLY

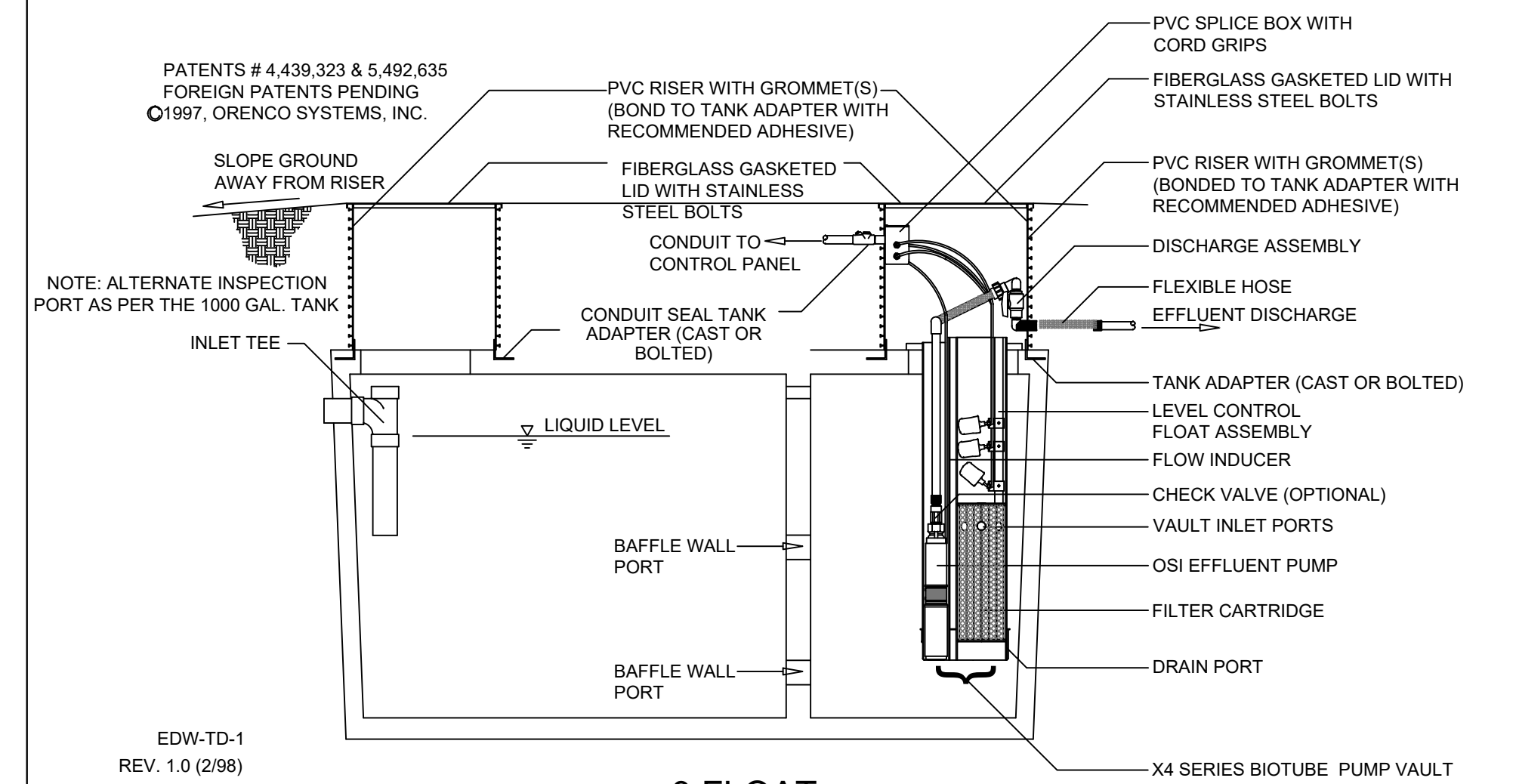
ORENCO SYSTEMS INCORPORATED
 814 AIRWAY AVENUE
 SUTHERLIN, OREGON
 97479-9012

NOTE: ALTERNATE INSPECTION PORT AS PER THE 1000 GAL. TANK



EDW-TD-4
 REV. 1.0 (2/98)

2 FLOAT



EDW-TD-1
 REV. 1.0 (2/98)

3 FLOAT

NOTE:
 OSI EFFLUENT PUMP 1/2 HP WILL HAVE (2) TWO FLOATS AND 1 HP WILL HAVE (3) THREE FLOATS.

**EFFLUENT PUMPING SYSTEM - DUAL COMPARTMENT DRAWDOWN
 1500 GAL. TANKS OR LARGER**

ORENCO SYSTEMS INCORPORATED
 814 AIRWAY AVENUE
 SUTHERLIN, OREGON
 97479-9012

REFER TO PART IV AND PART V OF THE RULES, REGULATIONS, RATES & POLICIES FOR THE GOVERNING OF THE WATER & SEWER DEPARTMENT OF THE CITY OF MARYVILLE, TENNESSEE FOR FURTHER DETAILS. PART IV DEALS WITH THE INSTALLATION AND OPERATION OF THE PROPERTY OWNERS PUMP AND LINES. PART V DEALS WITH THE INSTALLATION AND OPERATION OF THE CITY OF MARYVILLE FORCE MAIN - COLLECTION LINES.

ALL REFERENCES TO A SPECIFIC PRODUCT OR TRADEMARK ARE FOR EXAMPLE ONLY - ALL MATERIALS ARE TO BE "AS SHOWN OR EQUAL APPROVED BY THE CITY OF MARYVILLE WATER & SEWER DEPARTMENT AND THE STATE OF TENNESSEE FOR USE IN SEPTIC TANK EFFLUENT PUMP SYSTEMS."



**WATER & SEWER DEPARTMENT
 CITY OF MARYVILLE
 MARYVILLE, TENNESSEE**

DRAWN BY: GEF	TITLE	SCALE: NONE
APP'D BY:	STANDARD S.T.E.P.	SHEET 1 of 1
DATE:	SEWER DETAILS	
LAST REV DATE: 10/28/25		
DESCRIPTION:		W.O.